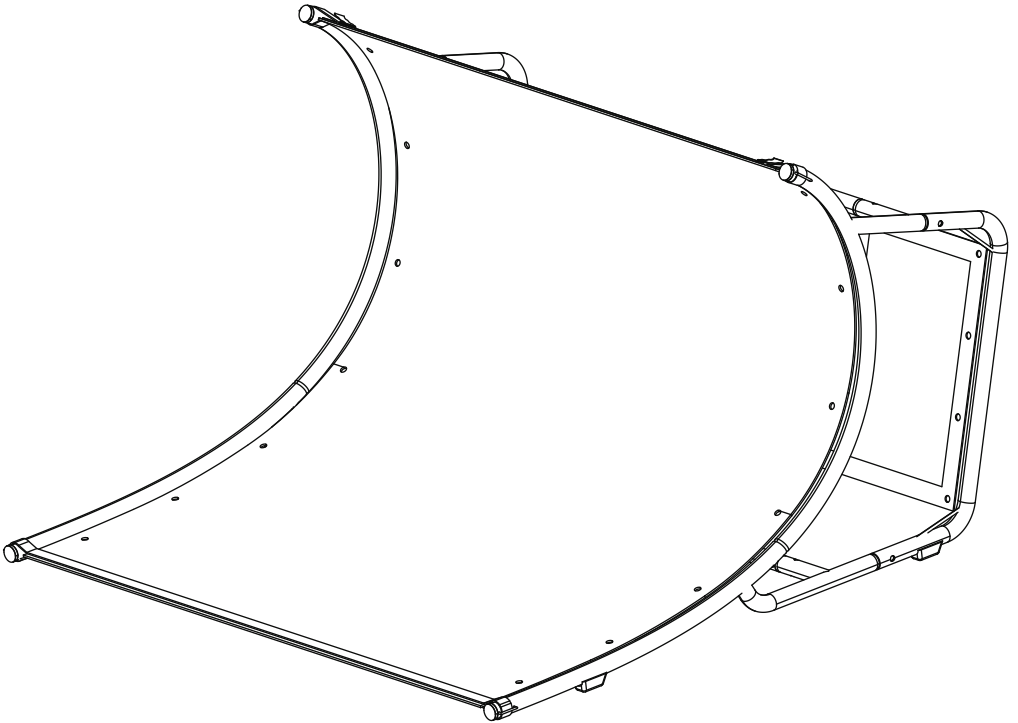
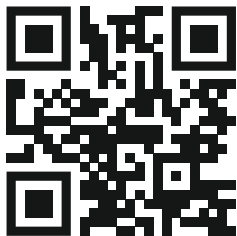


# ***QUICKPLAY***<sup>®</sup>



## **TEKKERS AIR**



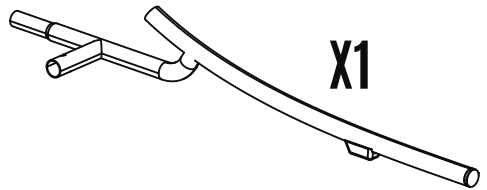
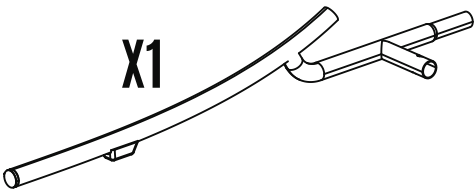
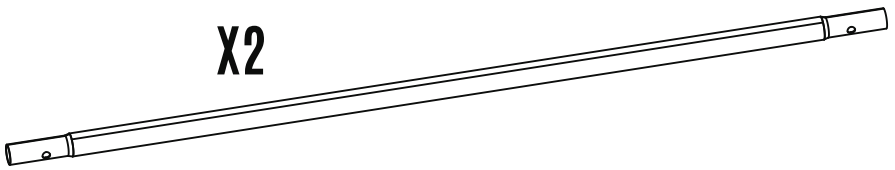
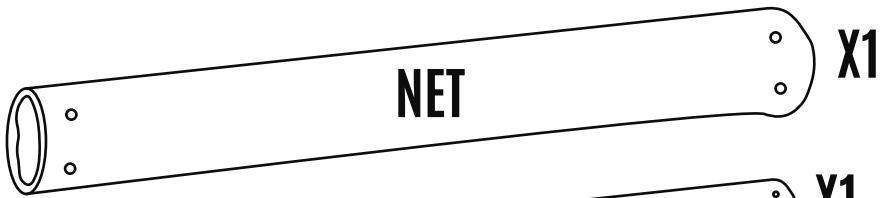
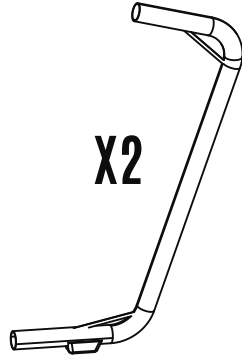
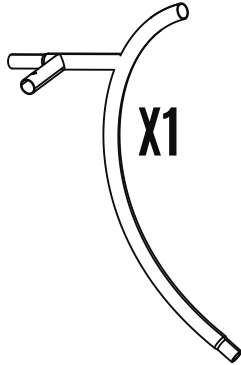
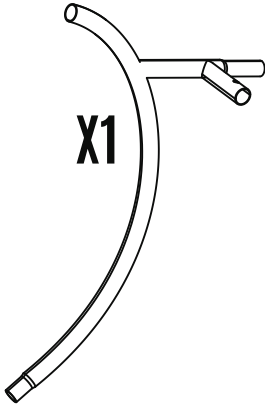
**SCAN FOR  
SETUP VIDEO**

SCAN FOR



# PARTS LIST

SETUP VIDEO



X24

1.

SCAN FOR

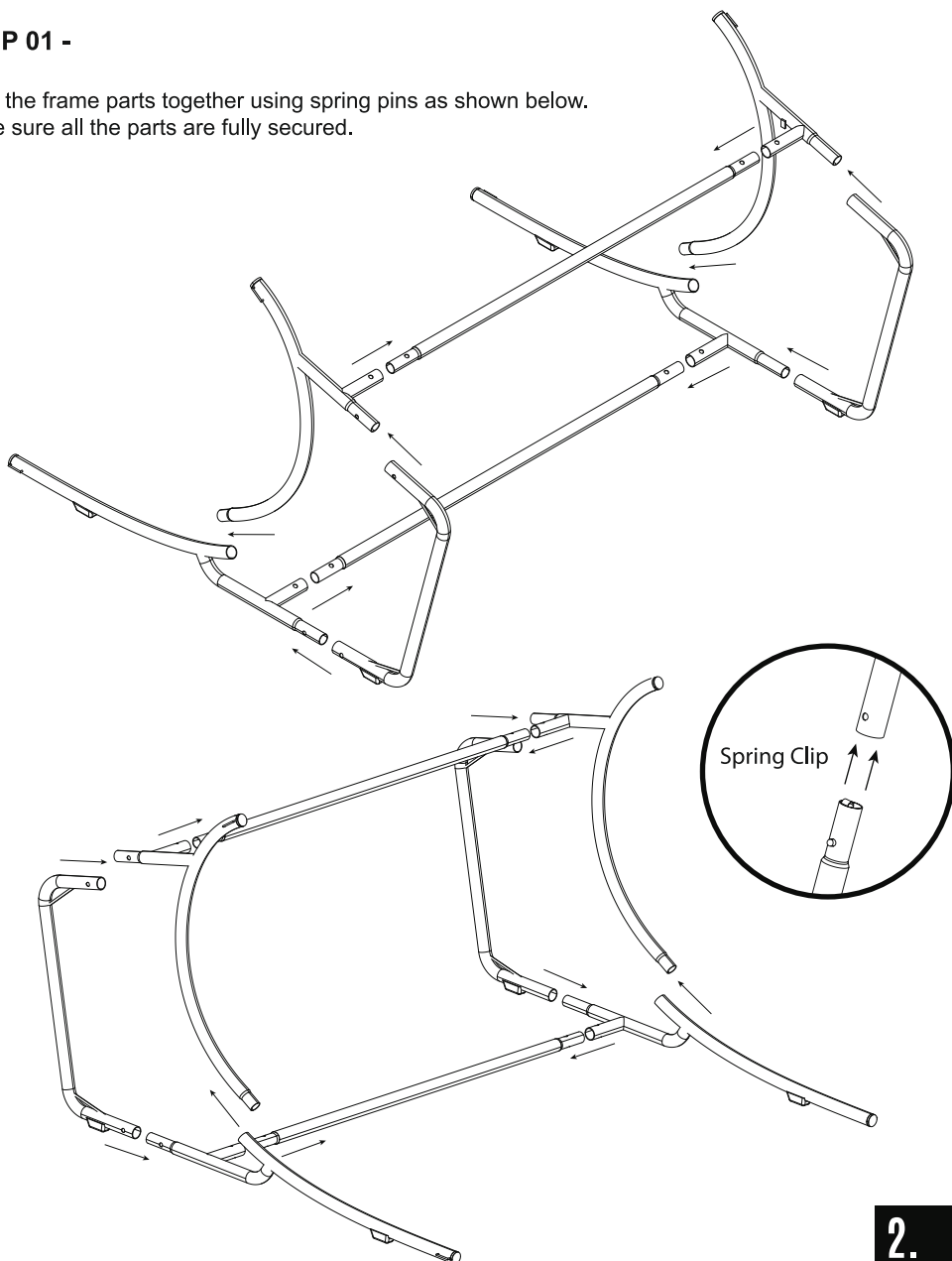


SETUP VIDEO

# ASSEMBLY

## STEP 01 -

Click the frame parts together using spring pins as shown below.  
Make sure all the parts are fully secured.

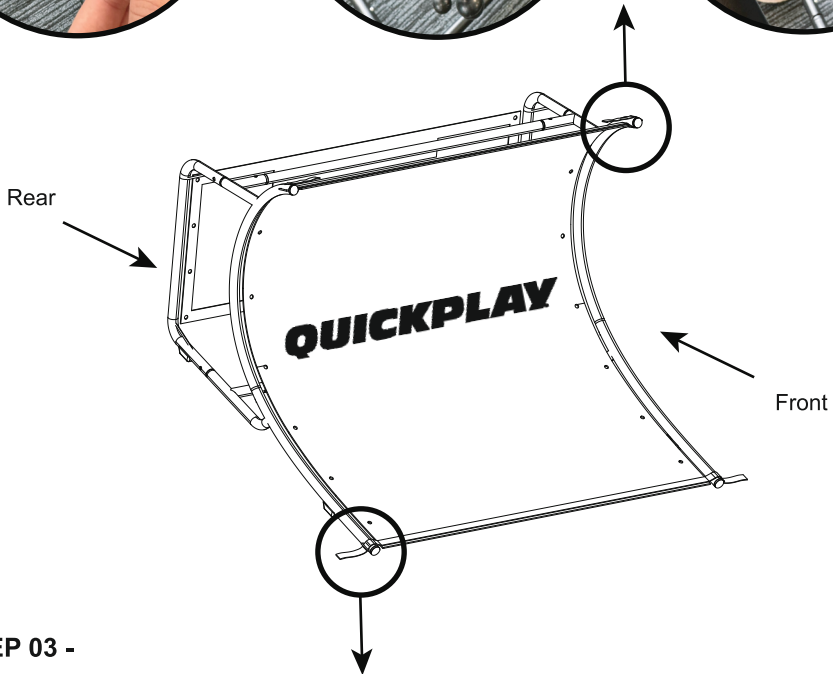
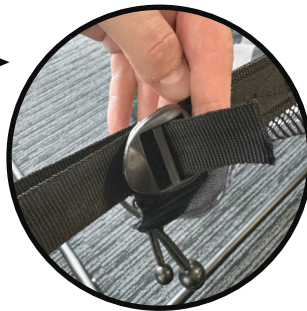


## STEP 02 -

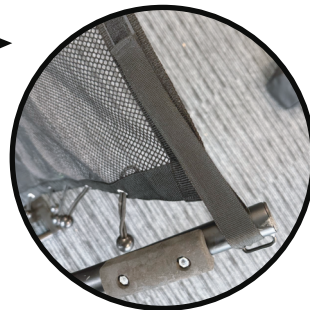
Feed top straps through the upper metal loops.

Now feed straps through the middle slots in the buckles.

Then feed straps through the end slots in the buckles.



## STEP 03 -



Feed bottom Velcro straps through the lower metal loop.

Fasten the velcro straps tight to the underside of the net.

## STEP 04 -

Put the bungees through the eyelets on the front net.

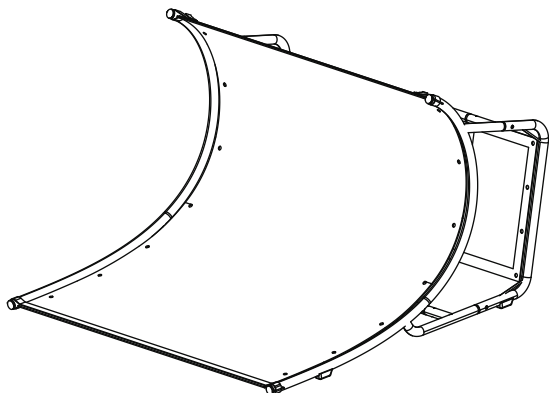
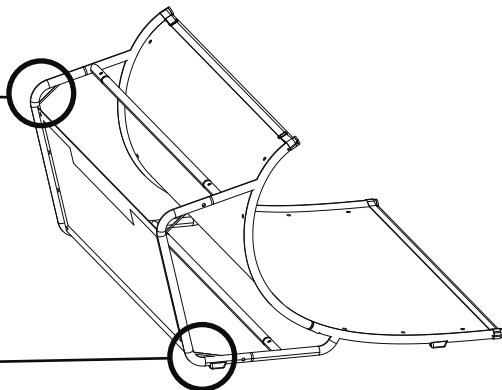


Secure the net in place by locking the bungee around the frame.



Do the same for the rear net using the bungees provided.

Make sure the top and bottom bungees on the rear net go through the steel supports as shown below



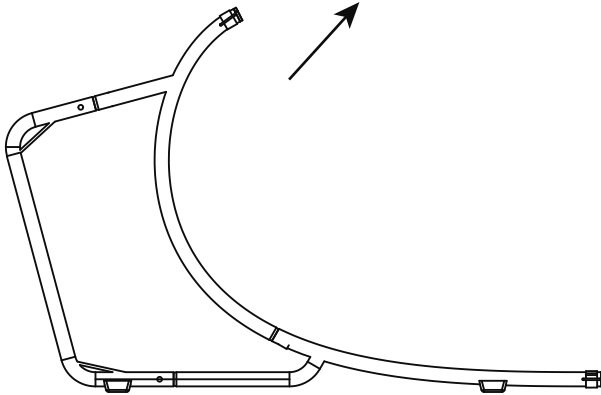
**ASSEMBLY  
COMPLETE**

# REBOUNDER SETUP

**SLACK**

High  
Rebound

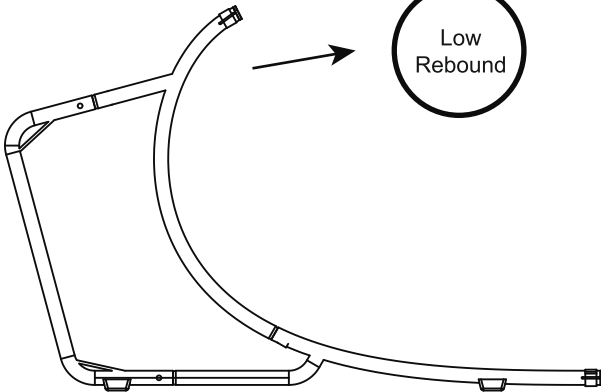
Slack tension in top straps  
for a higher rebound.



**TENSIONED**

Low  
Rebound

Tighten tension in top straps  
for a lower rebound.



# WARNING INFORMATION

1. Read through the instruction manual thoroughly before assembling the goal.
2. Check parts for any defects prior to the assembly of the goal.
3. Only use the goal on a flat surface.
4. Ensure due diligence is carried out and a risk assessment followed prior to the assembly of the goal.
5. Safety/warning stickers must be visible at all times.
6. Goals must be anchored at all times.
7. Never climb on the net or the posts.
8. Ensure the goal is checked for any signs of damage prior to use.
9. Use extreme caution when moving the goal.

## 1 Year Manufacturer Warranty:

Register your 2 yr warranty within 15 days of purchase  
visit: [Warranty.QuickPlaySport.com](http://Warranty.QuickPlaySport.com) or scan this code:

What your warranty covers?

Replacement parts within two years of your purchase date.

In accordance to the warranty guidelines above, failure to follow the methods of disassemble, use and storage will void your two year manufacturer warranty.

Warranty exclusions

- Accidental damage
- Misuse and abuse of product
- Lost merchandise
- Failure to properly care for your product

This excludes products which are clearly marketed as all weather products which are designed to be left outside assembled. Please read the website description for further details.

Should you wish to make a warranty claim please contact customer service with the required details. Please provide the following:

1. Order number
2. Name and full address details
3. Pictures of the fault with a brief description of the problem

Customer service details:

[support@quickplaysport.com](mailto:support@quickplaysport.com)

**Upgrade to 2 years warranty by registering at:  
[warranty.quickplaysport.com](http://warranty.quickplaysport.com)**



# THANK YOU!

For choosing the QUICKPLAY TEKKERS AIR.

We hope you enjoy and get years of use out of this product.

If you have any issues, please do not return it to the store. instead, contact us directly:

**support@quickplaysport.com**

We promise to resolve it  
**or your money back.**

At QUICKPLAY we think sport is all about taking part. We develop innovative products that help athletes and coaches at all levels of sport, perform to the best of their ability. If you have any queries or suggestions about how we can improve our products, we'd love to hear them. Please feel free to get in touch.

© 2026 QUICKPLAY Sport Limited. All Rights Reserved. Designed in the UK and USA. Made in India to EU standards.

**@quickplay\_sport / @quickplay\_soccer**  
**www.quickplaysport.com / www.quickplaysport.us**  
**Customer service: support@quickplaysport.com**