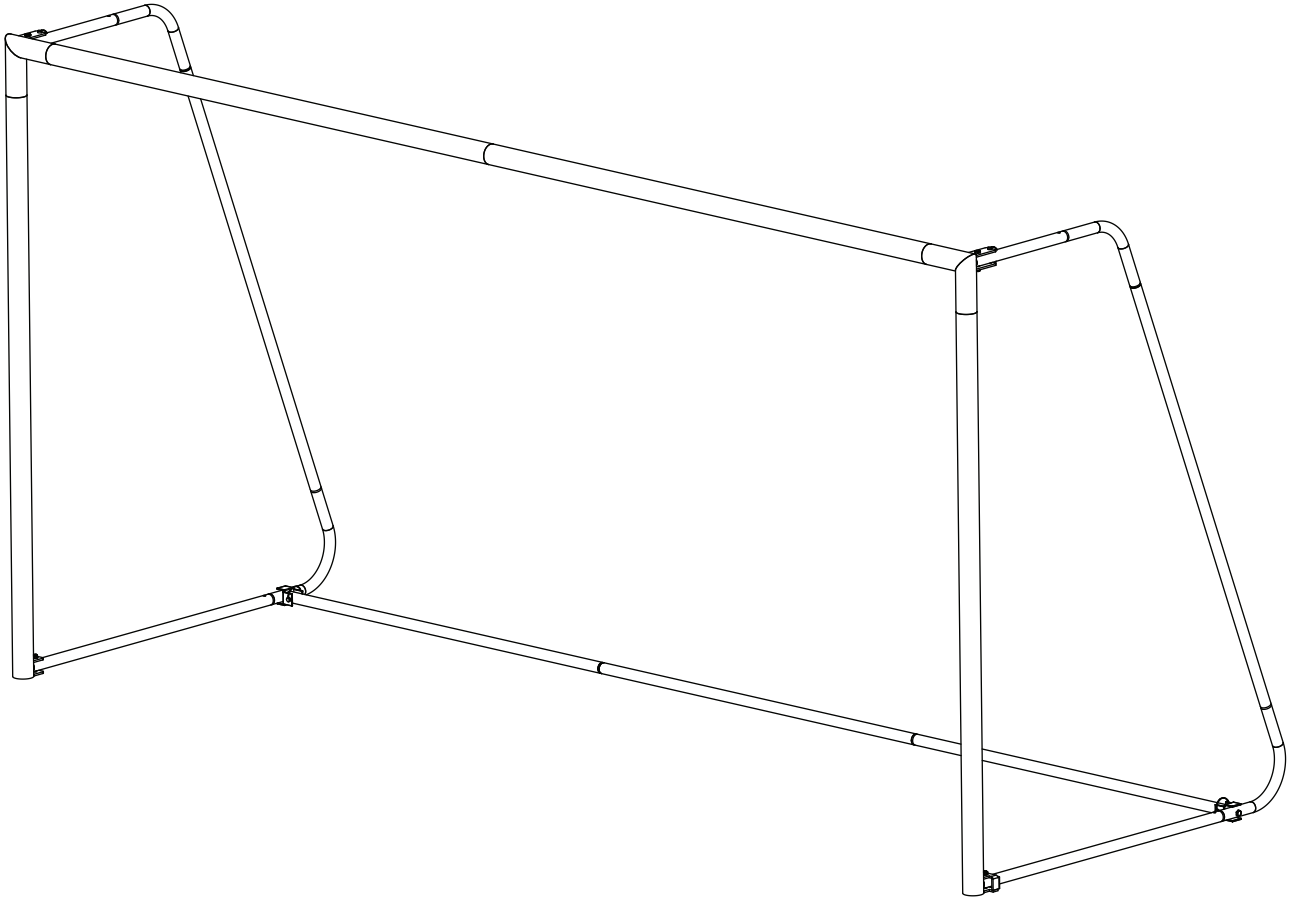


QUICKPLAY



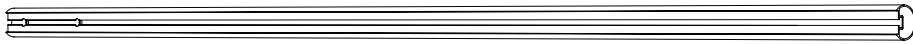
MATCH 60

3 x 2M



**SCAN FOR
SETUP VIDEO**

PARTS LIST



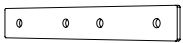
60-A1
CROSSBAR ENDS (2x)



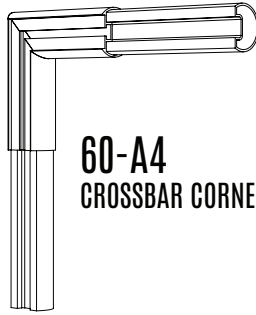
60-A3
UPRIGHTS (2x)



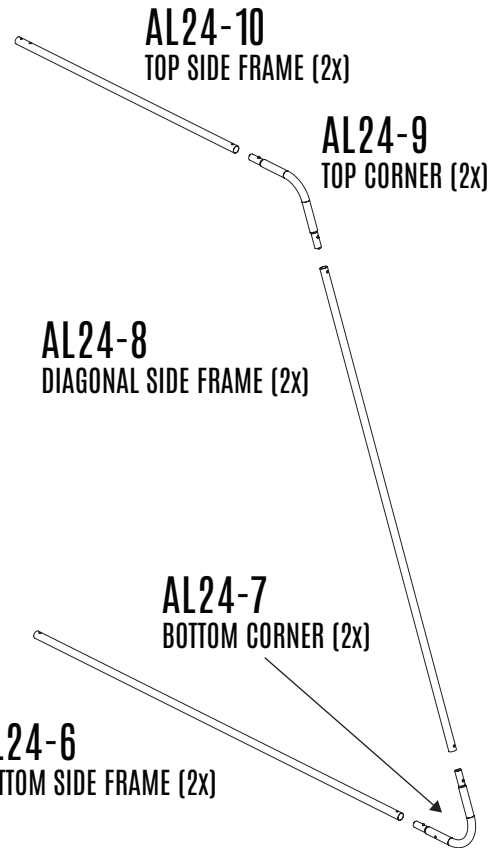
60-A5
CROSSBAR INNER CONNECTOR (1x)



60-S1
CROSSBAR OUTER CONNECTOR (1x)



60-A4
CROSSBAR CORNER (2x)

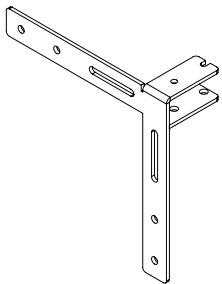


AL24-8
DIAGONAL SIDE FRAME (2x)

AL24-9
TOP CORNER (2x)

AL24-7
BOTTOM CORNER (2x)

AL24-6
BOTTOM SIDE FRAME (2x)



60-S2
LEFT CORNER CONNECTOR (1x)

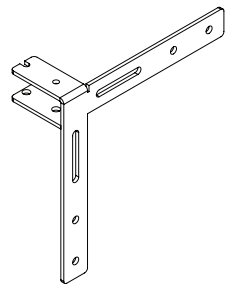


60-S4
BOTTOM BRACKET LEFT (1x)



BB-1
BASE BAR ENDS (2x)

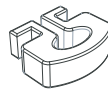
BB-2
BASE BAR MIDDLE 01 (1x)



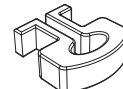
60-S3
RIGHT CORNER CONNECTOR (1x)



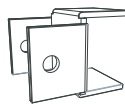
60-S5
BOTTOM BRACKET RIGHT (1x)



NC-1
NET CLIPS (30x)



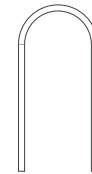
NC-2
LONG NET CLIPS (2x)



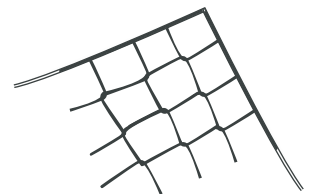
60-S6
BOTTOM BRACKETS (2x)



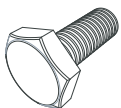
NC-2
NET CLIPS (20x)



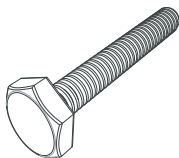
GP-1
GROUND PEGS (4x)



NET
(1x)



A1
M10x30 (18x)



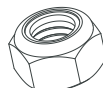
B1
M8x55 (6x)



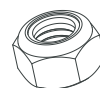
C1
M8x30 (8x)



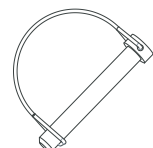
NW-1
NYLON WASHER (24x)



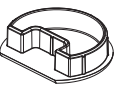
A2
M10 (18x)



B2
M8 (6x)

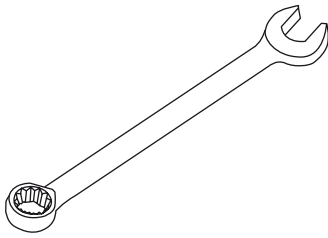


SP-1
SECURING PIN (4x)

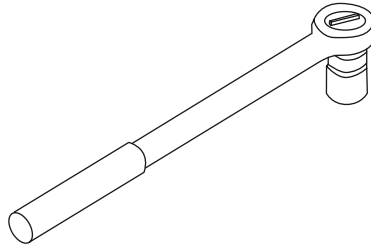


EC-1
ENDCAP (2x)

TOOLS NEEDED



WRENCH



**SOCKET WRENCH
& SOCKETS**



ALLEN KEY

WARNING INFORMATION

1. Read through the instruction manual thoroughly before assembling the goal.
2. Check parts for any defects prior to the assembly of the goal.
3. Only use the goal on a flat surface.
4. Ensure due diligence is carried out and a risk assessment followed prior to the assembly of the goal.
5. Safety/warning stickers must be visible at all times.
6. Goals must be anchored at all times.
7. Never climb on the net or the posts.
8. Ensure the goal is checked for any signs of damage prior to use.
9. Use extreme caution when moving the goal.
10. Remove nets when goals are not in use.

1 Year Manufacturer Warranty:

Register your 2 yr warranty within 15 days of purchase
visit: Warranty.QuickPlaySport.com or scan this code:



What your warranty covers?

Replacement parts within two years of your purchase date.

In accordance to the warranty guidelines above, failure to follow the methods of disassemble, use and storage will void your two year manufacturer warranty.

Warranty exclusions

- Accidental damage
- Misuse and abuse of product
- Lost merchandise
- Failure to properly care for your product

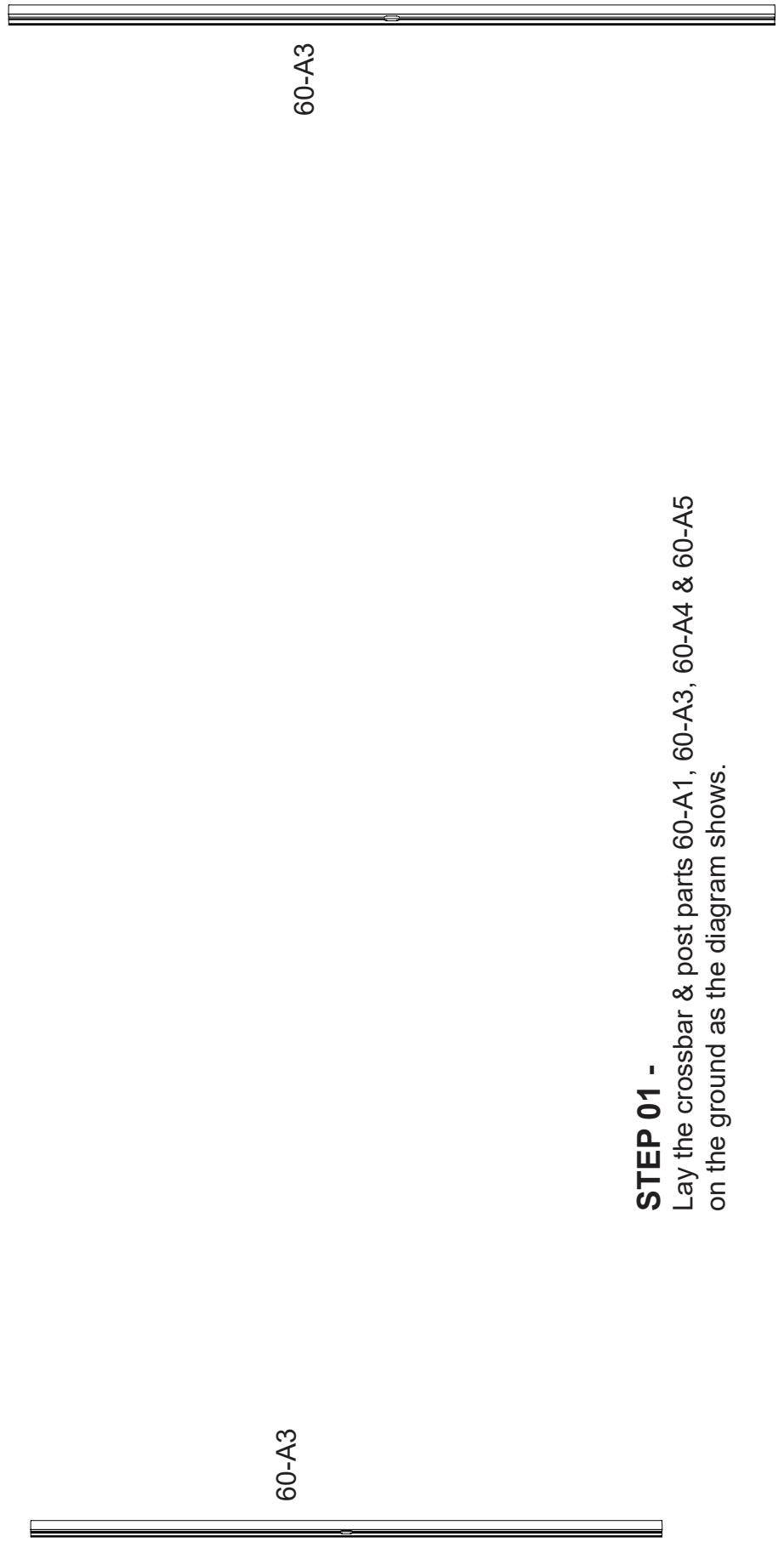
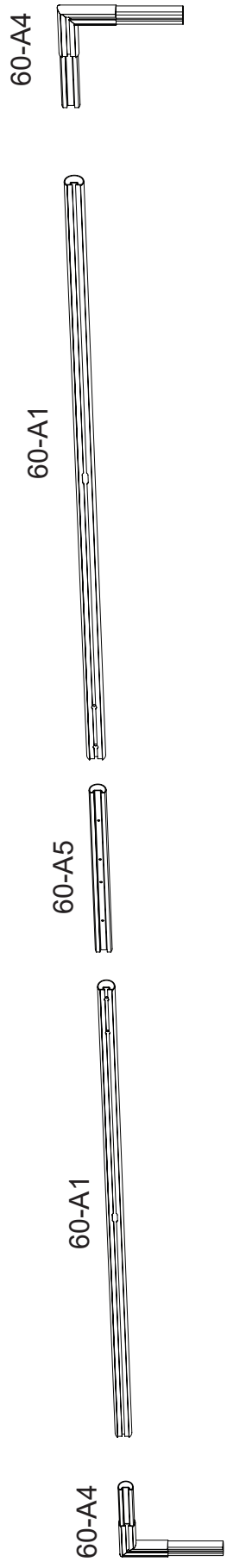
This excludes products which are clearly marketed as all weather products which are designed to be left outside assembled. Please read the website description for further details.

Should you wish to make a warranty claim please contact customer service with the required details. Please provide the following:

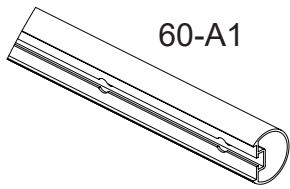
1. Order number
2. Name and full address details
3. Pictures of the fault with a brief description of the problem

Customer service details:

support@quickplaysport.com



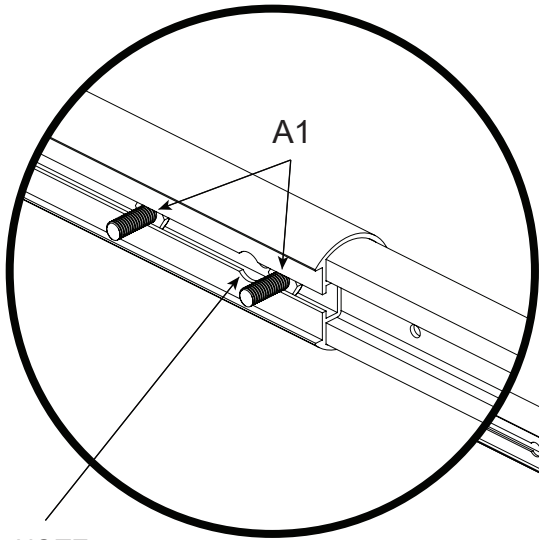
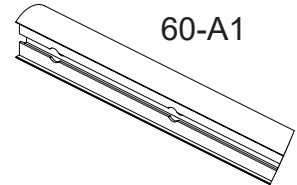
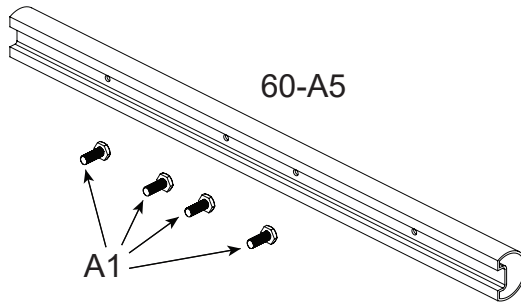
STEP 01 -
Lay the crossbar & post parts 60-A1, 60-A3, 60-A4 & 60-A5 on the ground as the diagram shows.



STEP 02.1 -

Slide 2x A1 bolts into the end of both crossbar 60-A1.

Ensure the 2 bolt holes on 60-A1 are facing inwards towards 60-A5.

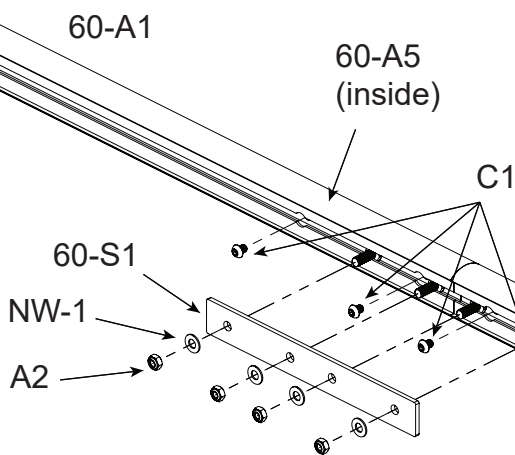


STEP 02.2 -

Ensure the bolts are positioned as shown.

Close both 60-A1 with 60-A5 stored inside

NOTE -
Ensure these bolts are separated by this hole.

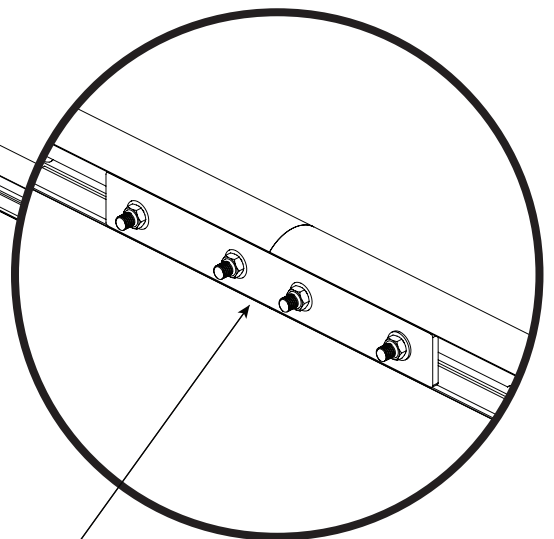


STEP 02.3 -

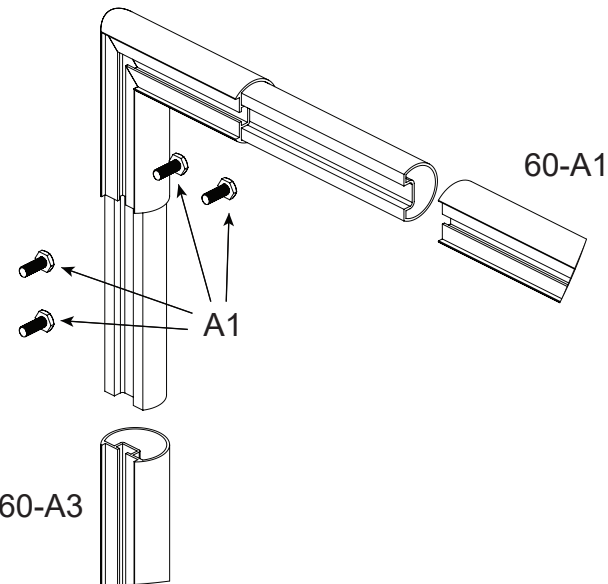
Fasten both 60-A1 to 60-A5 using C1 bolts first.

Fasten bolts A1 into 60-S1 using NW-1 & A2

NOTE -
Each crossbar connection should look like this



60-A4



STEP 03.1 -

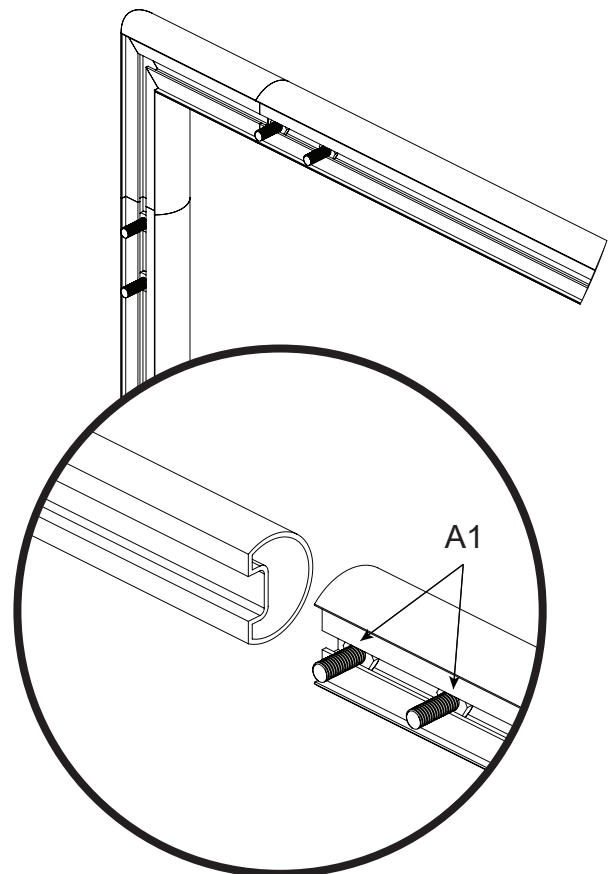
Slide 2x A1 bolts into the end of crossbar 60-A1.

Slide 2x A1 bolts into the end of post 60-A3.

STEP 03.2 -

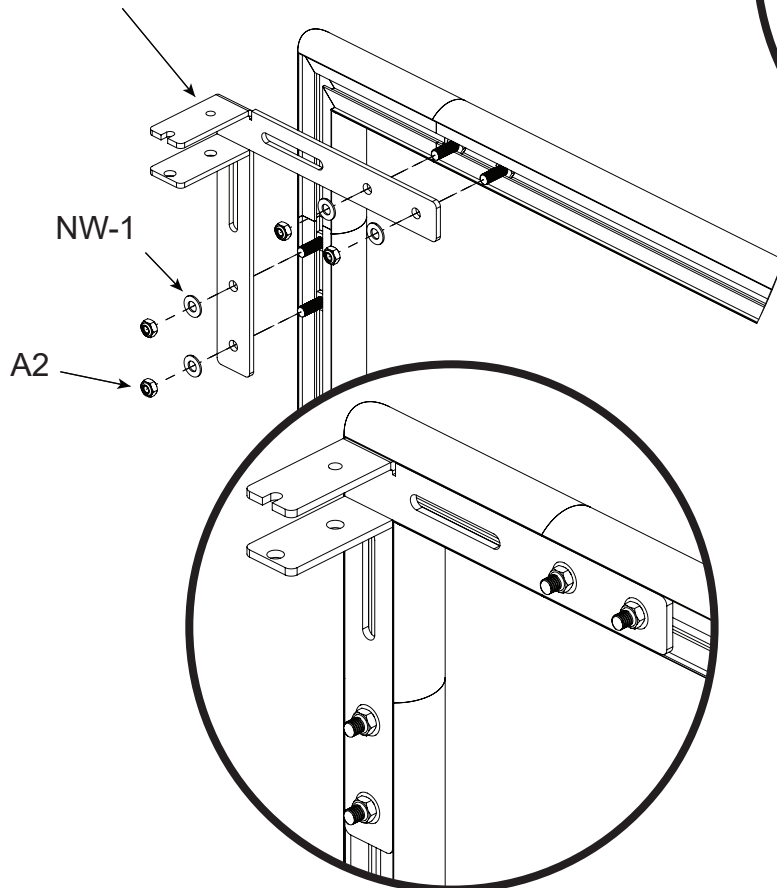
Ensure the bolts are positioned as shown.

Close 60-A1, 60-A4 & 60-A3 together.



60-S2 (Left Side)

60-S3 (Right Side)



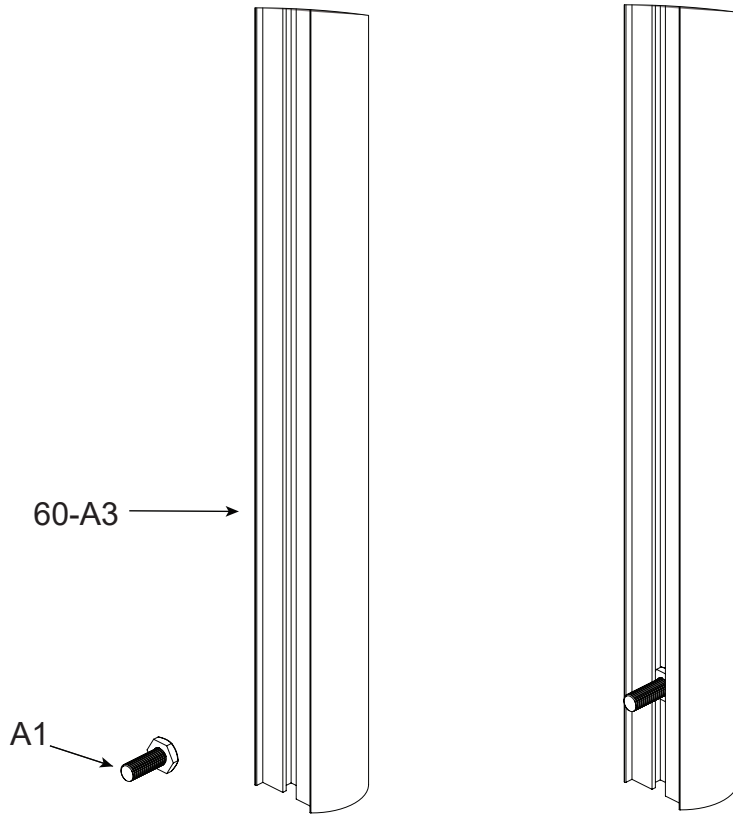
STEP 03.3 -

Fasten 60-A1 & 60-A3 to 60-A4 using 60-S2 for the left corner & 60-S3 for the right corner

Fasten bolts A1 into 60-S2 & 60-S3 using 8x NW-1 & 8x A2

STEP 04.1 -

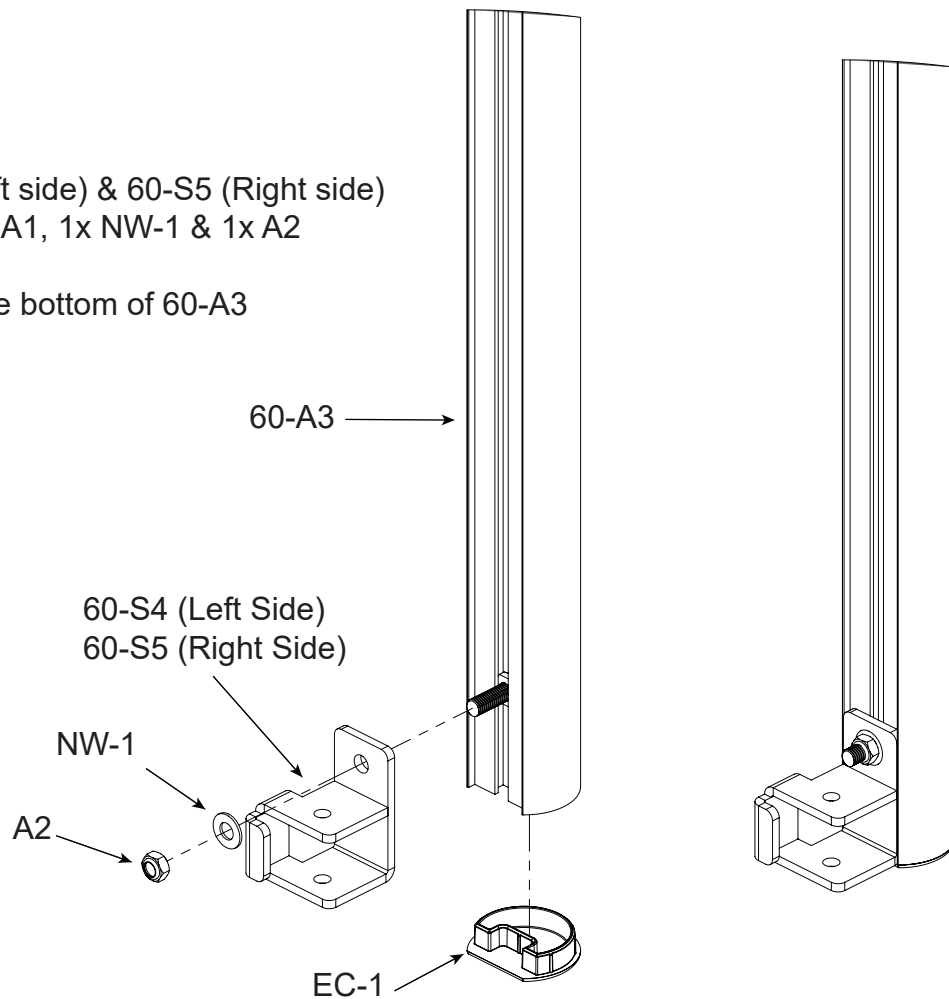
Slide 1x A1 bolts into the bottom of both 60-A3.



STEP 04.2 -

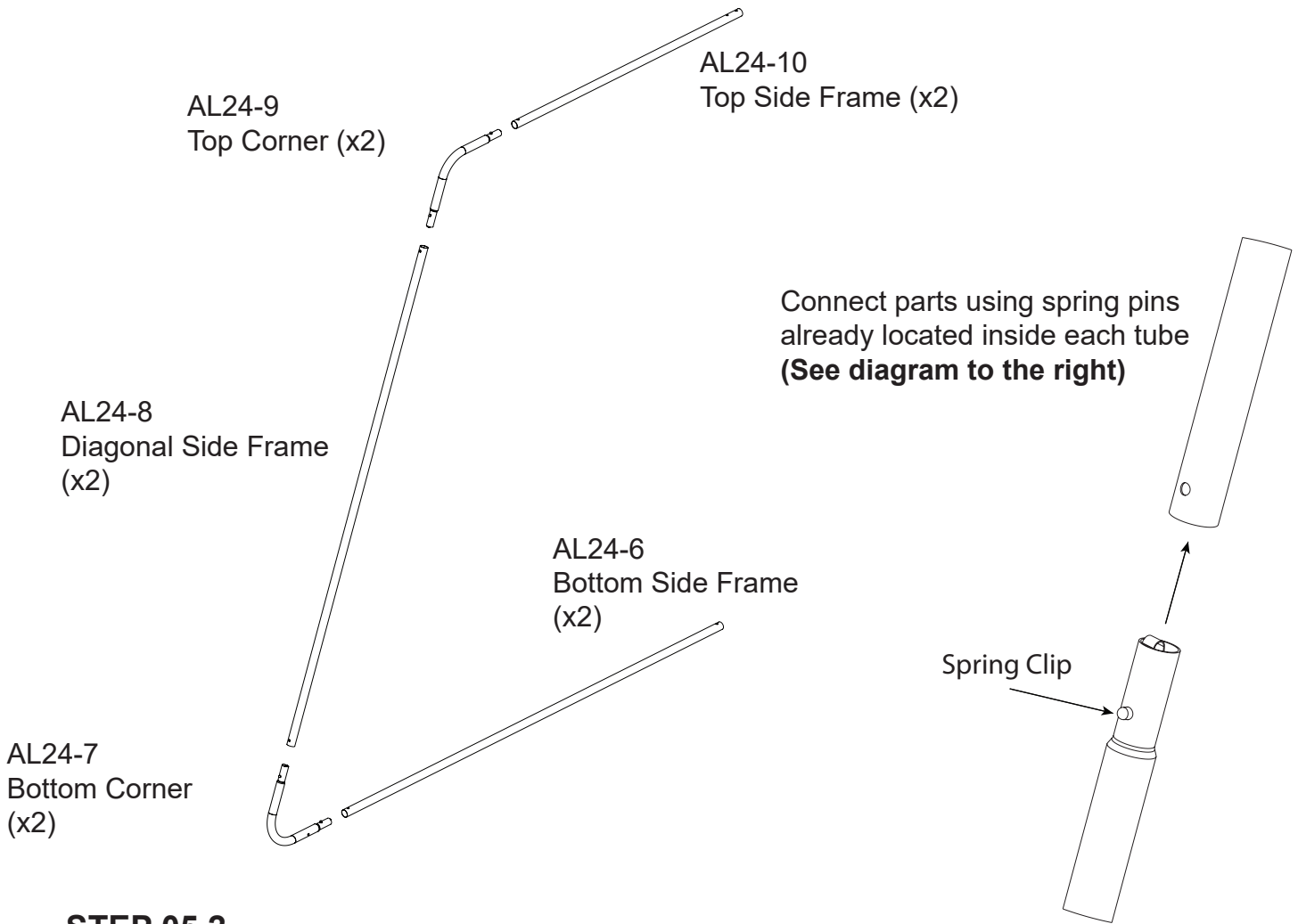
Fasten 60-S4 (Left side) & 60-S5 (Right side) to 60-A3 using 1x A1, 1x NW-1 & 1x A2

Slide EC-1 into the bottom of 60-A3



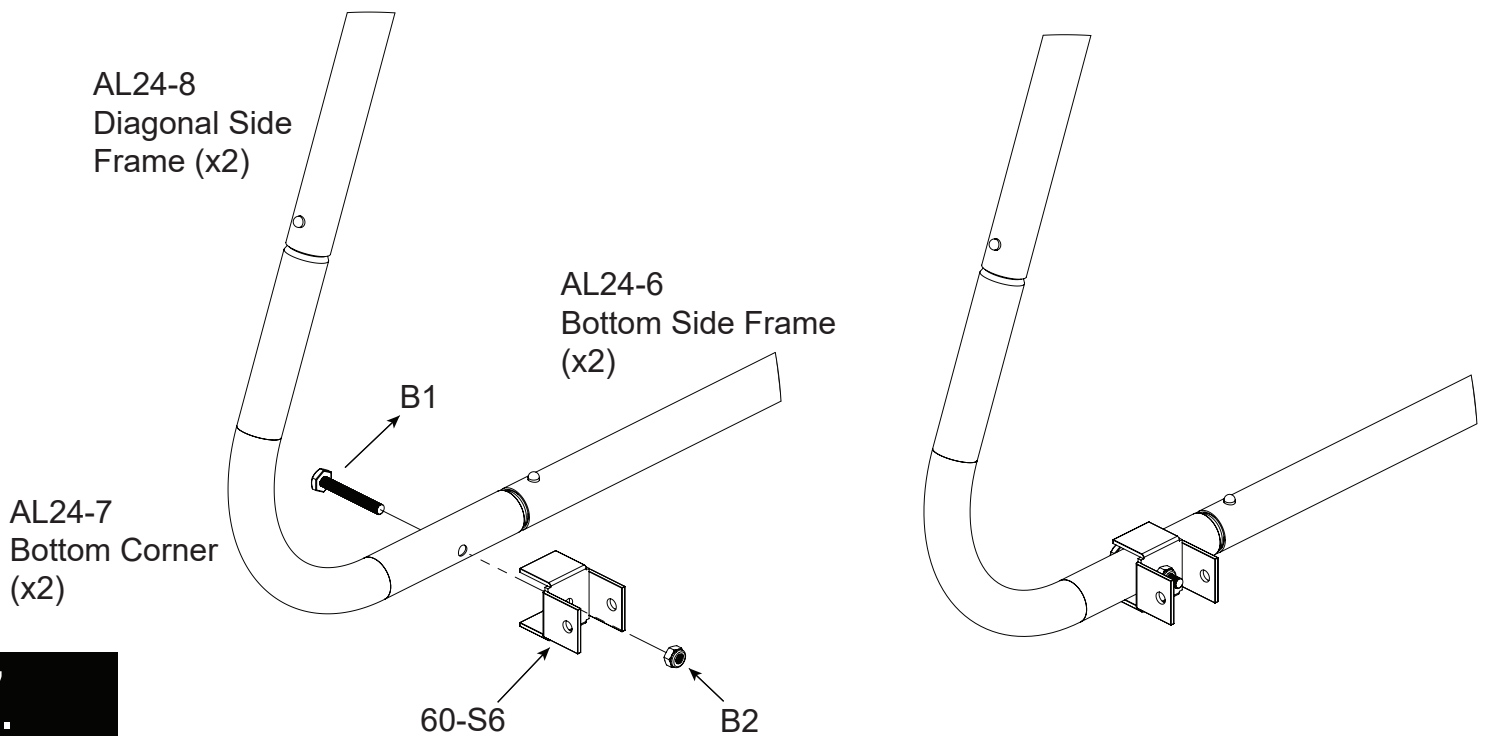
STEP 05.1 -

Layout all the parts for each side frame as shown (AL24-6, AL24-7, AL24-8, AL24-9, AL24-10)

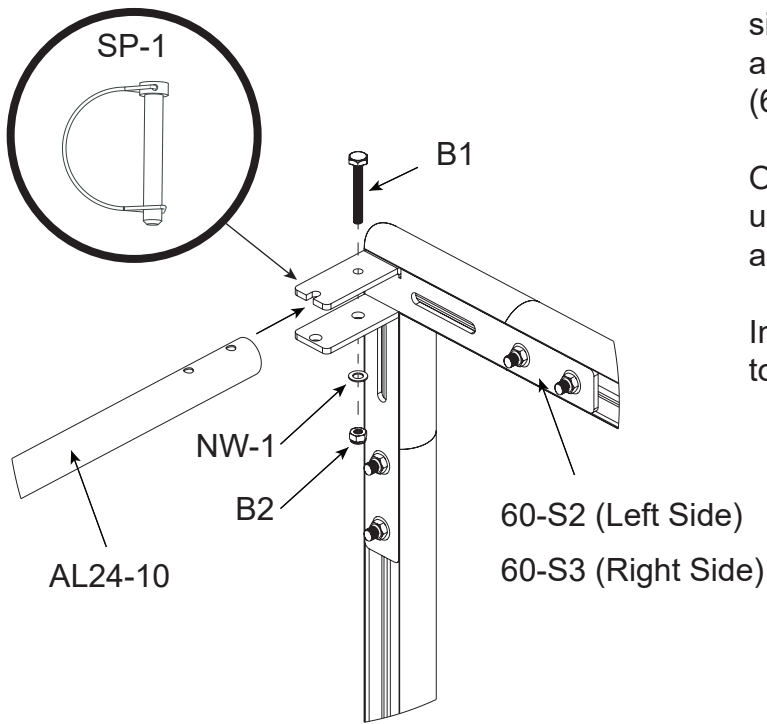


STEP 05.2 -

Fasten 60-S6 to AL24-7 on each stanchion using B1 & B2



Top Corner



STEP 06.1 -

Position the top part of the assembled side frame (AL24-10) so that both holes align with the corner bracket holes (60-S2 & 60-S3)

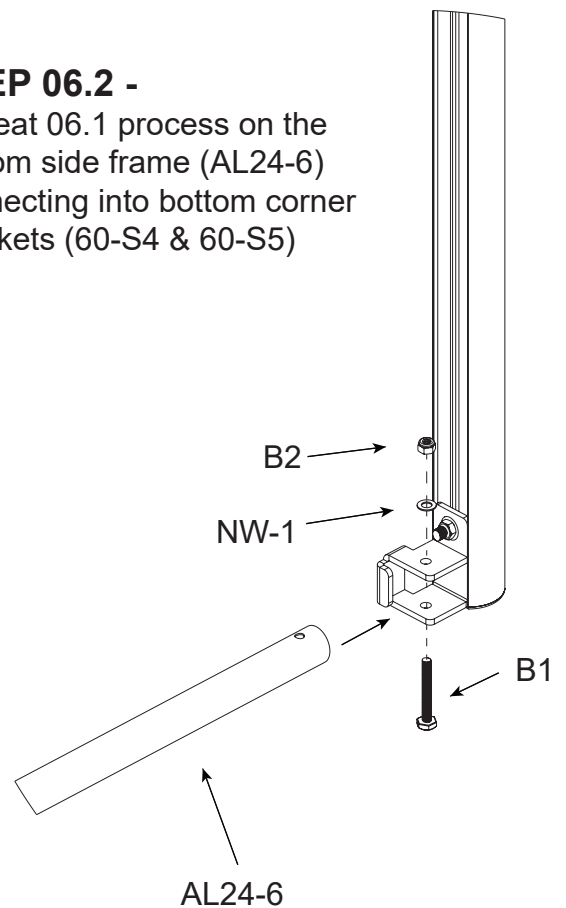
Once aligned, fasten AL24-10 to 60-S2 & 60-S3 using B1, NW-1 & B2, through the back holes as per diagram.

Insert SP-1 into the front slot of 60-S2 & 60-S3 to lock the side frames in an open position

Bottom Corner

STEP 06.2 -

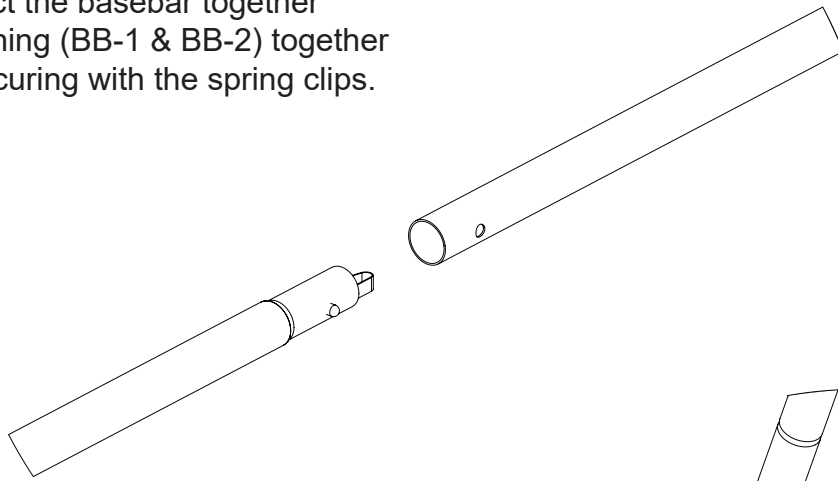
Repeat 06.1 process on the bottom side frame (AL24-6) connecting into bottom corner brackets (60-S4 & 60-S5)



Repeat process on the other side

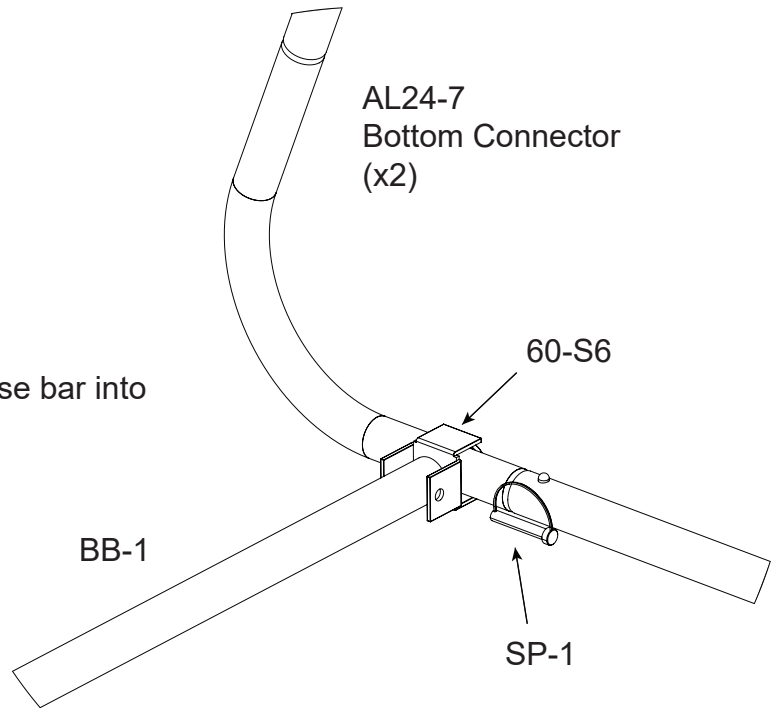
STEP 07.1 -

Connect the basebar together by pushing (BB-1 & BB-2) together and securing with the spring clips.



STEP 07.2 -

Place the connected base bar into both (60-S6)



STEP 07.3 -

Use the Securing Pins (SP-1) to fasten the basbare into place as shown per diagram.

Secure on both sides.

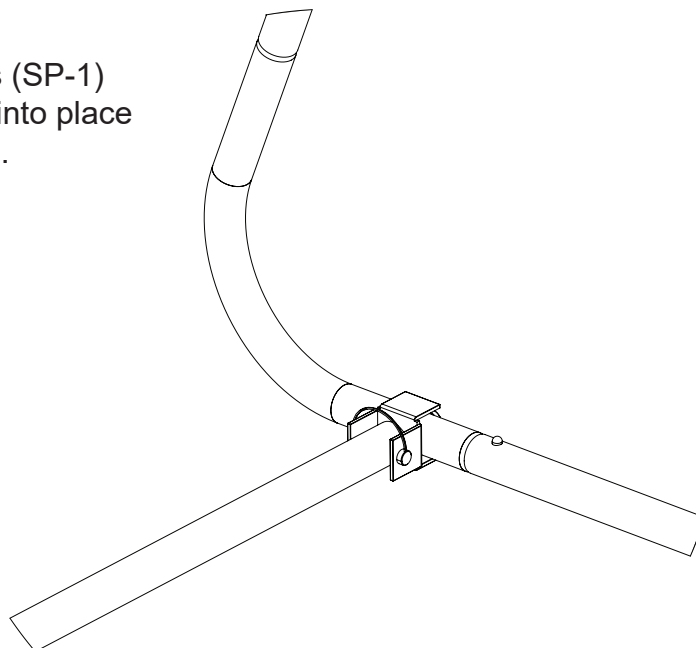
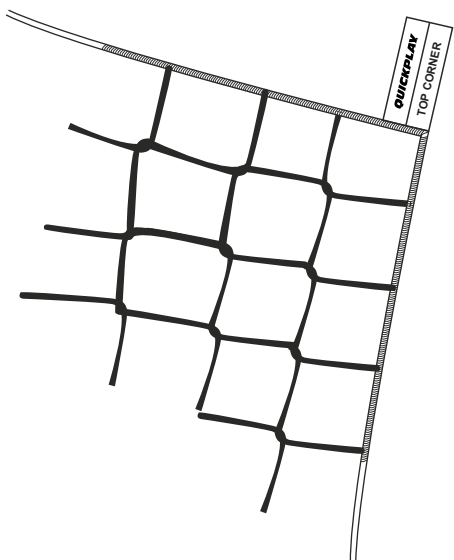


Figure 1a



STEP 08.1 -

Place the net over the frame, use 'top corner' tabs as per figure 1a to ensure the net is in the correct orientation.

Attach net to the frame using the net clips (NC-1). Insert the net perimeter trim into the net clip hole then push net clip legs into the rear channel of the goal frame and twist to lock in position.

The push and twist technique is shown in figure 1b.

Use NC-2 to clip the net through the slots in the corners brackets.

Figure 1b

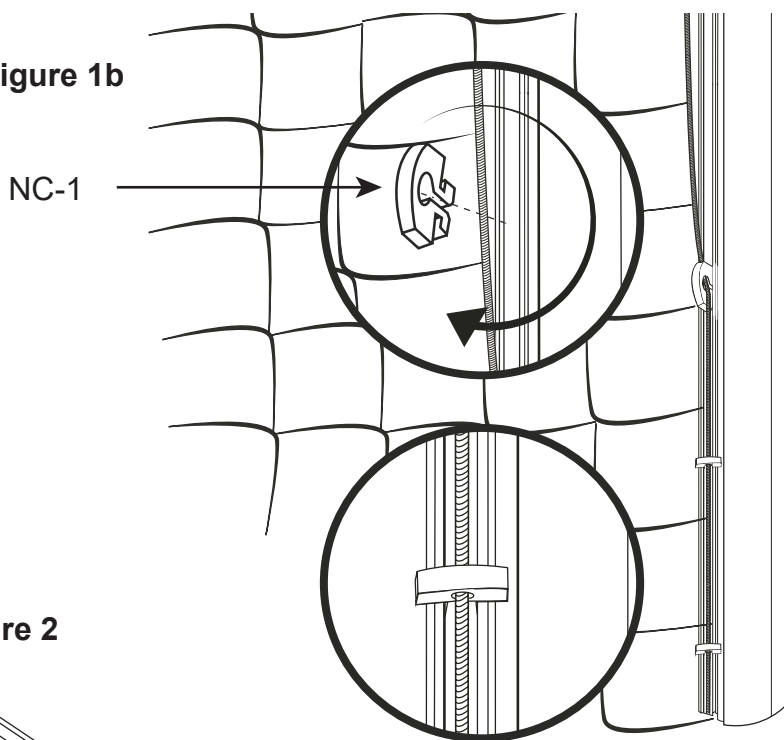
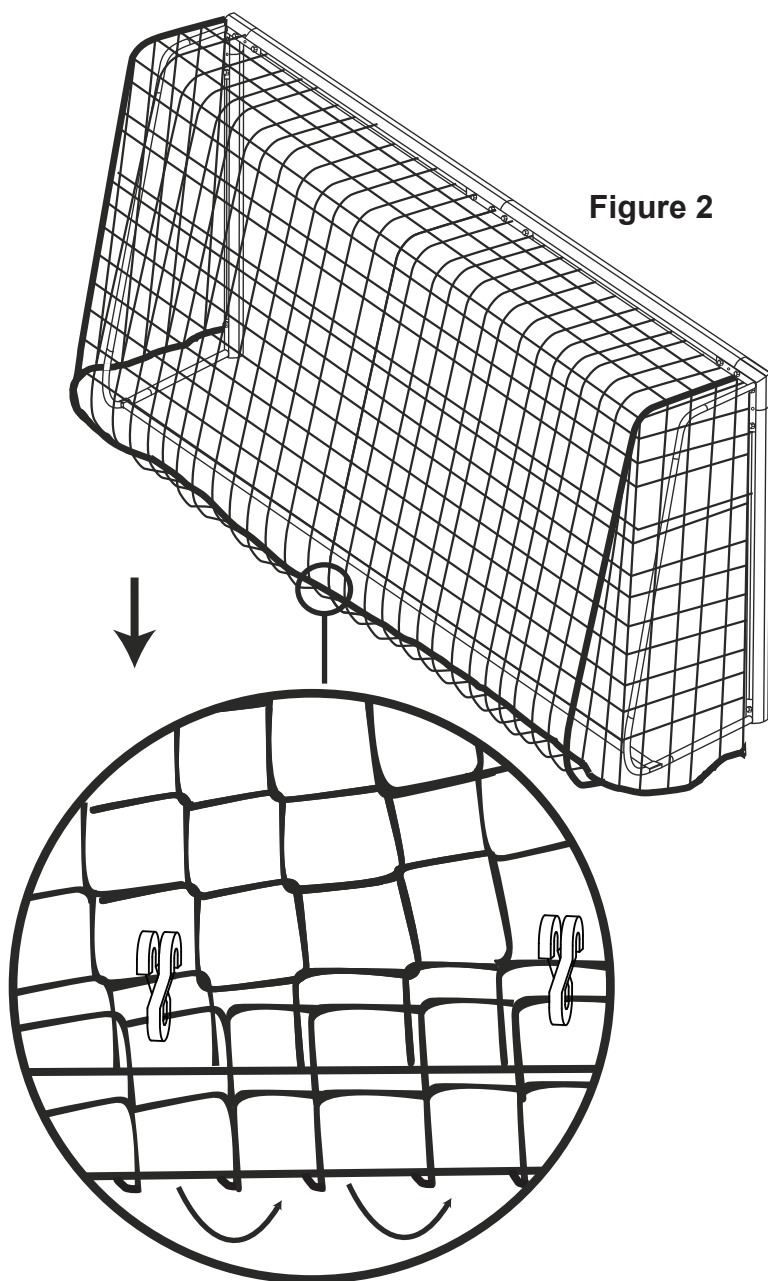


Figure 2

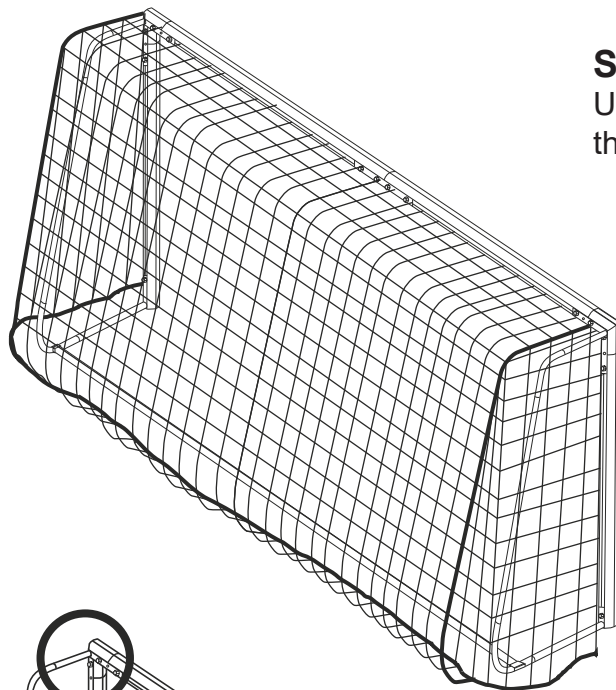


STEP 08.2 -

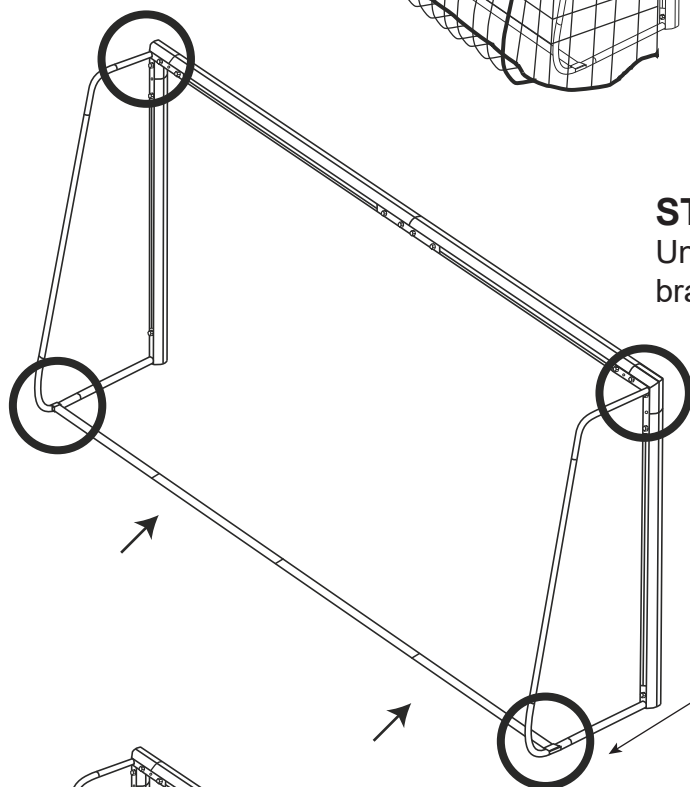
Wrap the net around the BB-1, BB-2, AL24-6, and back onto itself.

Using the net clips (NC-2) secure the net together every 4x squares apart, see figure 2.

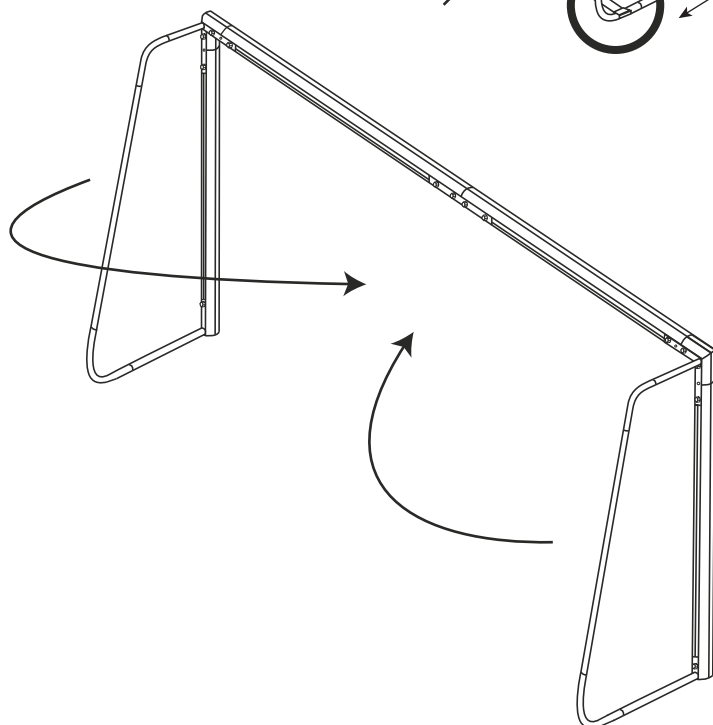
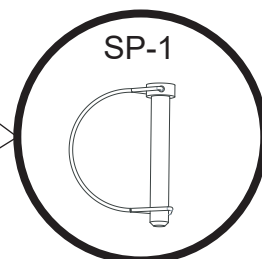
FOLD AWAY



STEP 09.1 -
Undo NC-2 connecting
the net to the base bar.



STEP 09.2 -
Undo securing pin from the base bar
brackets, then remove base bar.



STEP 09.3 -
Fold sidebars inwards 90
degree towards the crossbar.